

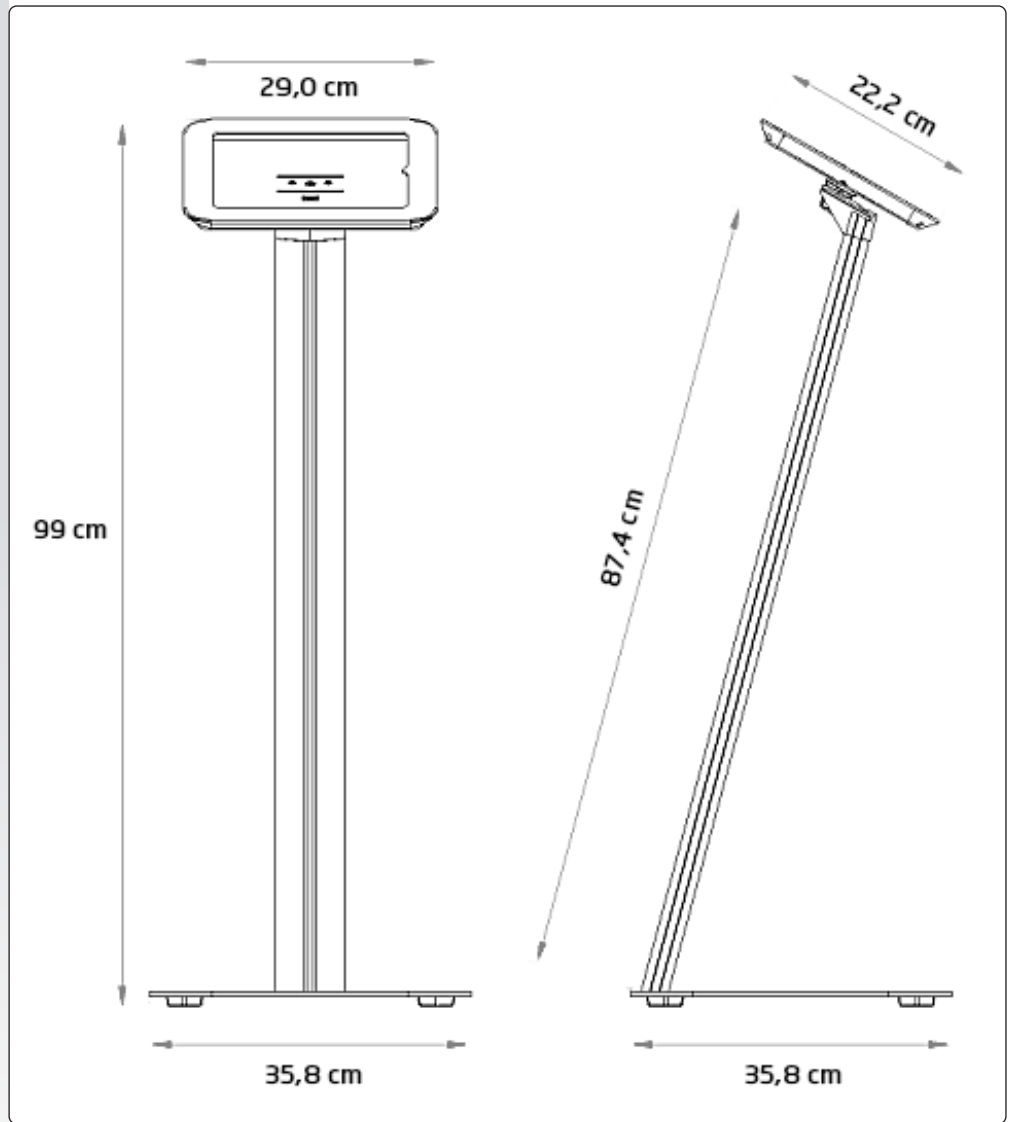
 Alu stand for iPad with heavy steel base. Adjustable position - vertical or horizontal. For indoor use. Perfect for events, conferences, trade fairs, receptions, waiting rooms or showrooms. Compatible with all iPads and tablets in the size 9.7" - 10.1".

 Aluständer für iPad mit schwerem Metallfuß. Kann in Querformat oder im Hochformat verwendet werden. Für den Innenbereich. Ideal für Veranstaltungen, Konferenzen, Messen, Rezeptionen, Warteräume oder Showrooms. Kompatibel mit allen iPads und Tablets in Größe 9.7" - 10.1".

 Stander til iPad - produceret i aluminium med kraftig stålfod. Holderen kan drejes i vertikal eller horizontal position. Til indendørs brug - events, konferencer, messer, receptioner, venteværelser og showrooms m.m. Standeren er kompatibel med alle iPads og tablets i størrelsen 9.7" - 10.1".



## Cable not incl.!

Remember to order one of the four versions separately.

All in 3 metres lenght.

Art. 8215  
Cable for all iPads



Art. 8216  
Cable for iPad3 and earlier



Art. 8217  
Cable for iPad4 and later



Art. 8218  
Cable V8, micro USB for Samsung, LG etc.



Model	Article	Product	Total W x H x D	Color	Weight	Package size and weight	Pallet size and quantity
1060	8211	Stand with iPad holder	28,3 x 98,9 x 35,8 cm	Alu / black	6 kg	38 x 107 x 11 cm 6,0 kg	80 x 120 x 220 cm 38 pcs.